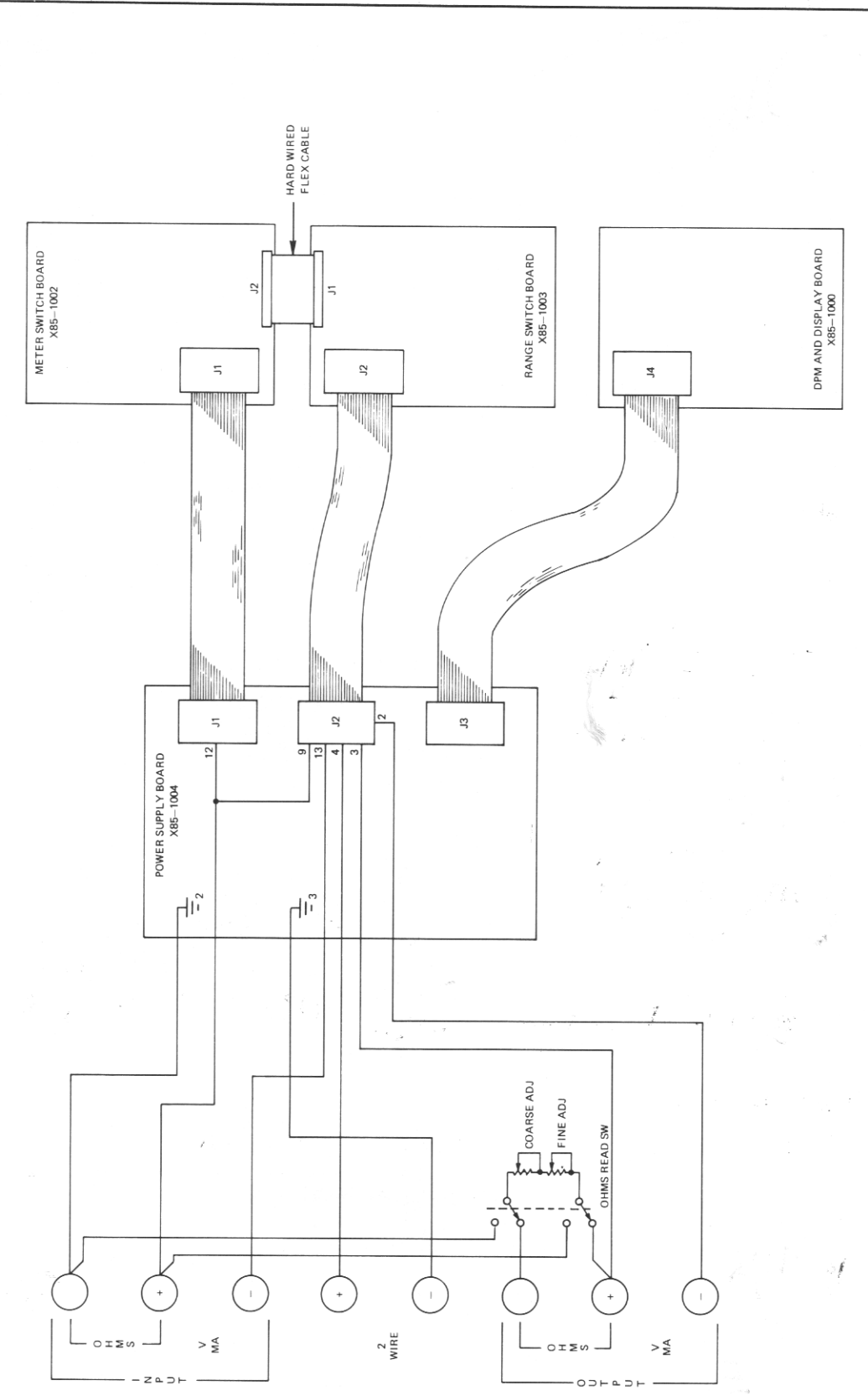
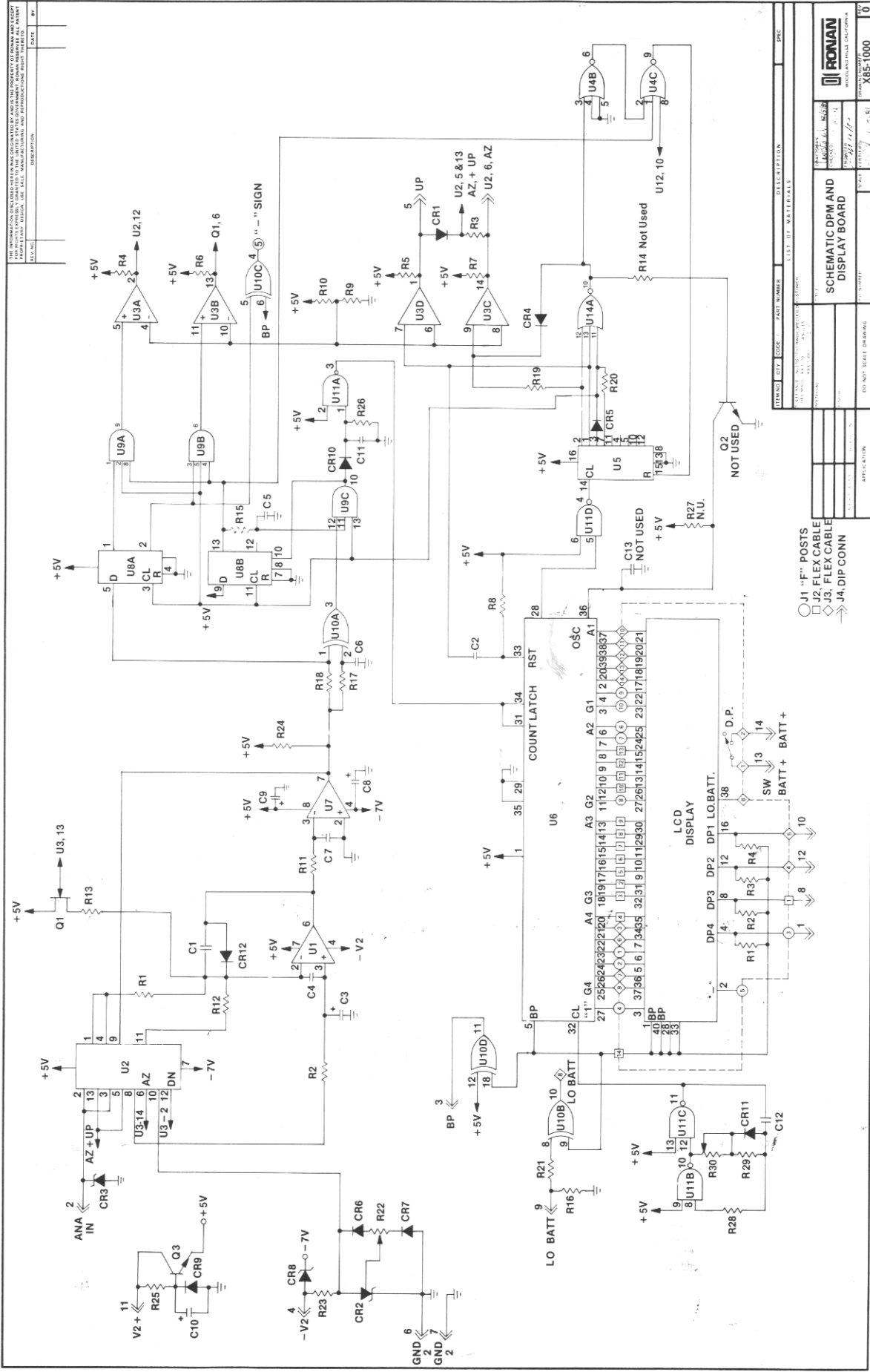


THE INFORMATION DISCLOSED HEREIN WAS ORIGINATED BY AND IS THE PROPERTY OF RONAN AND EXCEPT AS MAY BE OTHERWISE STATED BY CONTRACT, NO PART OF THIS INFORMATION IS TO BE REPRODUCED OR TRANSMITTED IN ANY FORM OR BY ANY MEANS, ELECTRONIC OR MECHANICAL, INCLUDING PHOTOCOPYING, RECORDING, OR BY ANY INFORMATION STORAGE AND RETRIEVAL SYSTEM. RONAN RESERVES ALL PATENT RIGHTS IN THIS INFORMATION. NO PART OF THIS INFORMATION IS TO BE REPRODUCED OR TRANSMITTED IN ANY FORM OR BY ANY MEANS, ELECTRONIC OR MECHANICAL, INCLUDING PHOTOCOPYING, RECORDING, OR BY ANY INFORMATION STORAGE AND RETRIEVAL SYSTEM. RONAN RESERVES ALL PATENT RIGHTS IN THIS INFORMATION. NO PART OF THIS INFORMATION IS TO BE REPRODUCED OR TRANSMITTED IN ANY FORM OR BY ANY MEANS, ELECTRONIC OR MECHANICAL, INCLUDING PHOTOCOPYING, RECORDING, OR BY ANY INFORMATION STORAGE AND RETRIEVAL SYSTEM. RONAN RESERVES ALL PATENT RIGHTS IN THIS INFORMATION.



ITEM NO.	QTY	CODE	PART NUMBER	DESCRIPTION	SPEC
LIST OF MATERIALS					
TOLERANCE UNLESS OTHERWISE SPECIFIED: CUSTOMER					
DECIMALS: XX.XX ANGLES: XXX.X.DDD ±.50					
MATERIAL: _____					
FINISH: _____					
NEXT ASSY USED ON: _____					
APPLICATION: _____					
DO NOT SCALE DRAWING					
P.O. NUMBER: _____					
SCALE: _____					
TITLE: INTERCONNECTION DRAWING MODEL X85					
DRAWN: <i>John</i> 1-29-81 DATE					
CHECKED: _____					
ENGINEER: _____					
MANUFACTURING: _____					
QUALITY ASSURANCE: _____					
DRAWING NUMBER: X85-1005					
REV: 0					



- J1 "16" POSTS
- J2 FLEX CABLE
- ◇ J3 FLEX CABLE
- J4 DIP CONN

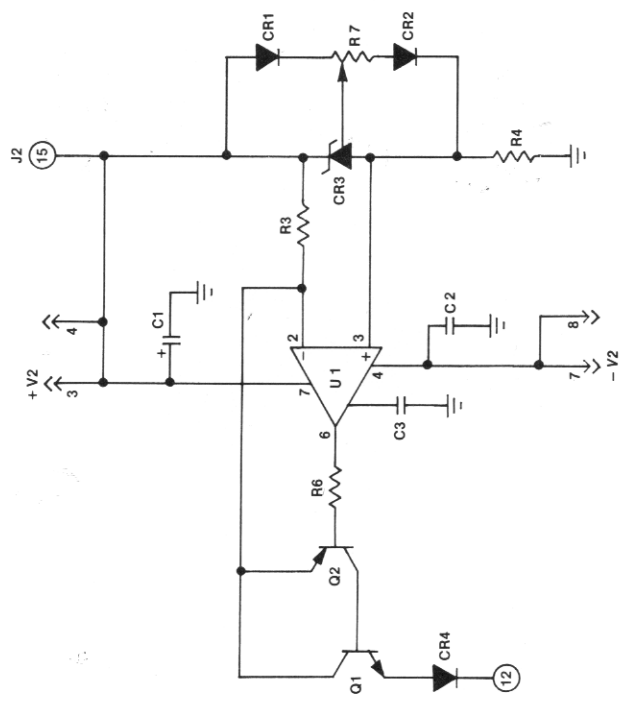
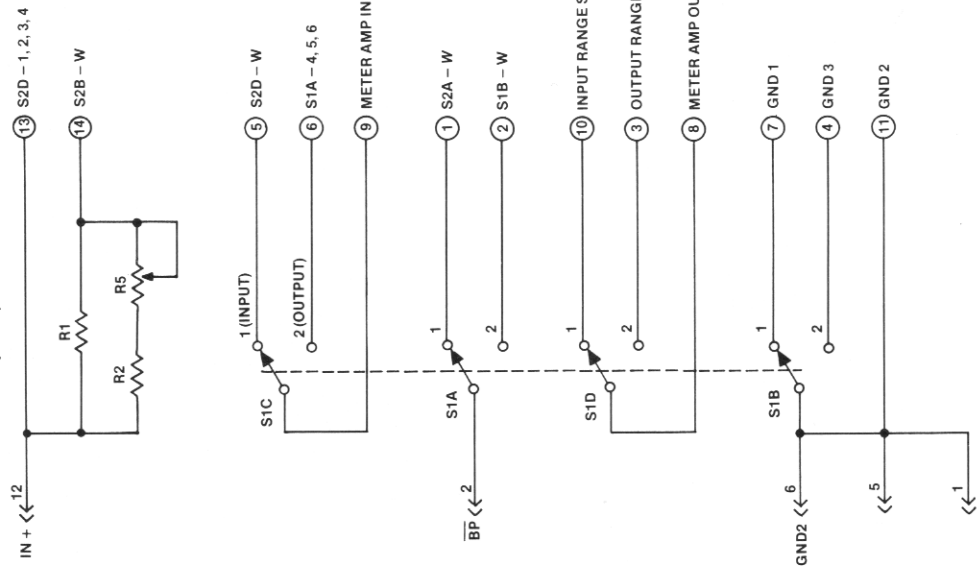
REV	DATE	DESCRIPTION	SPEC
1		SCHEMATIC DPM AND DISPLAY BOARD	
2			
3			
4			
5			
6			
7			
8			
9			
10			

ROMAN
WOODBRIDGE CALIFORNIA

X85-1000

THE INFORMATION DISCLOSED HEREIN WAS ORIGINATED BY AND IS THE PROPERTY OF RONAN AND EXCEPT FOR RIGHTS EXPRESSLY GRANTED TO THE UNITED STATES GOVERNMENT, RONAN RESERVES ALL PATENT, PROPRIETARY, DESIGN, USE, SALE, MANUFACTURING AND REPRODUCTIONS RIGHT THEREOF.

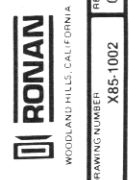
REV. NO.	DESCRIPTION	DATE	BY

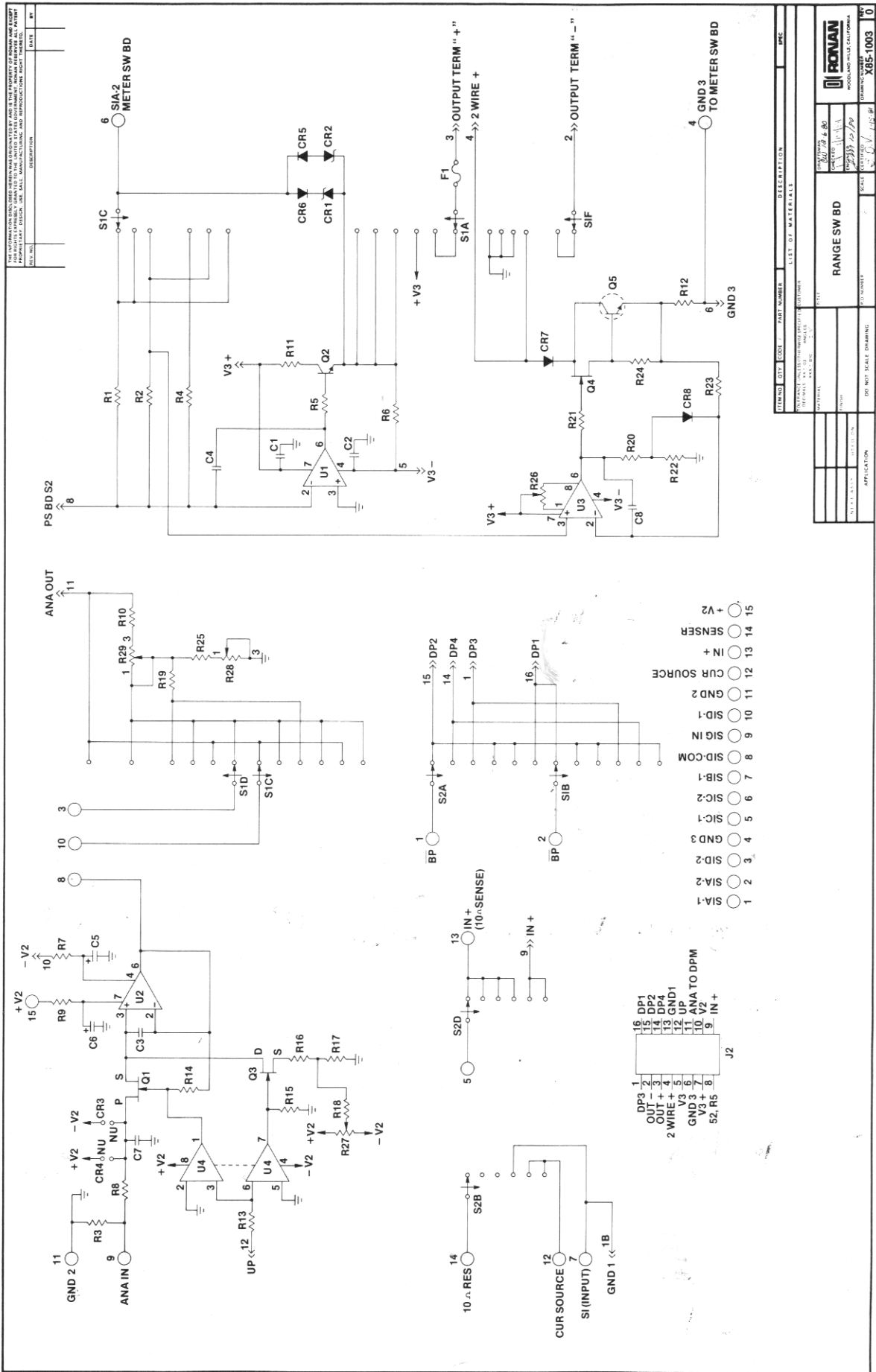


14	13	12	11	10	9	8
GND2	BP	+V2	+V2	GND2	GND2	-V2
1	2	3	4	5	6	7
GND2	BP	+V2	+V2	GND2	GND2	-V2

NOTE:
 ○ = FLEX STRIP TO RANGE SW BD
 → = DIP CONN TO P.S. BD

ITEM NO.	QTY	CODE	PART NUMBER	DESCRIPTION	SPEC
LIST OF MATERIALS					
TOLERANCE UNLESS OTHERWISE SPECIFIED: CUSTOMER					
DECIMALS: XX ± .03 ANGLES: XXX ± .010 ± .5°					
MATERIAL:					
FINISH:					
DO NOT SCALE DRAWING					
APPLICATION					
METER SWITCH BOARD					
TITLE					
DRAWN: DATE: 12/2/83					
CHECKED: 12/2/83					
ENGINEER: 12/2/83					
MANUFACTURING: 12/2/83					
QUALITY ASSURANCE: 12/2/83					
SCALE					
P.O. NUMBER					
DRAWING NUMBER: X85-1002					
REV: 0					





THE INFORMATION CONTAINED HEREIN IS UNCLASSIFIED EXCEPT WHERE SHOWN OTHERWISE. IT IS THE PROPERTY OF ROHM AND COMPANY, INC. AND IS LOANED TO YOUR OFFICE FOR YOUR INFORMATION ONLY. IT IS NOT TO BE REPRODUCED OR TRANSMITTED IN ANY FORM OR BY ANY MEANS, ELECTRONIC OR MECHANICAL, INCLUDING PHOTOCOPYING, RECORDING, OR BY ANY INFORMATION STORAGE AND RETRIEVAL SYSTEM. WITHOUT PERMISSION IN WRITING FROM ROHM AND COMPANY, INC.

REV. NO.	DATE	BY

ITEM NO.	QTY	CODE	UNIT NUMBER	DESCRIPTION	SPEC

DATE	BY	SCALE	APPROVAL

DATE	BY	SCALE	APPROVAL

DATE	BY	SCALE	APPROVAL

DATE	BY	SCALE	APPROVAL

DATE	BY	SCALE	APPROVAL

DATE	BY	SCALE	APPROVAL

DATE	BY	SCALE	APPROVAL

DATE	BY	SCALE	APPROVAL

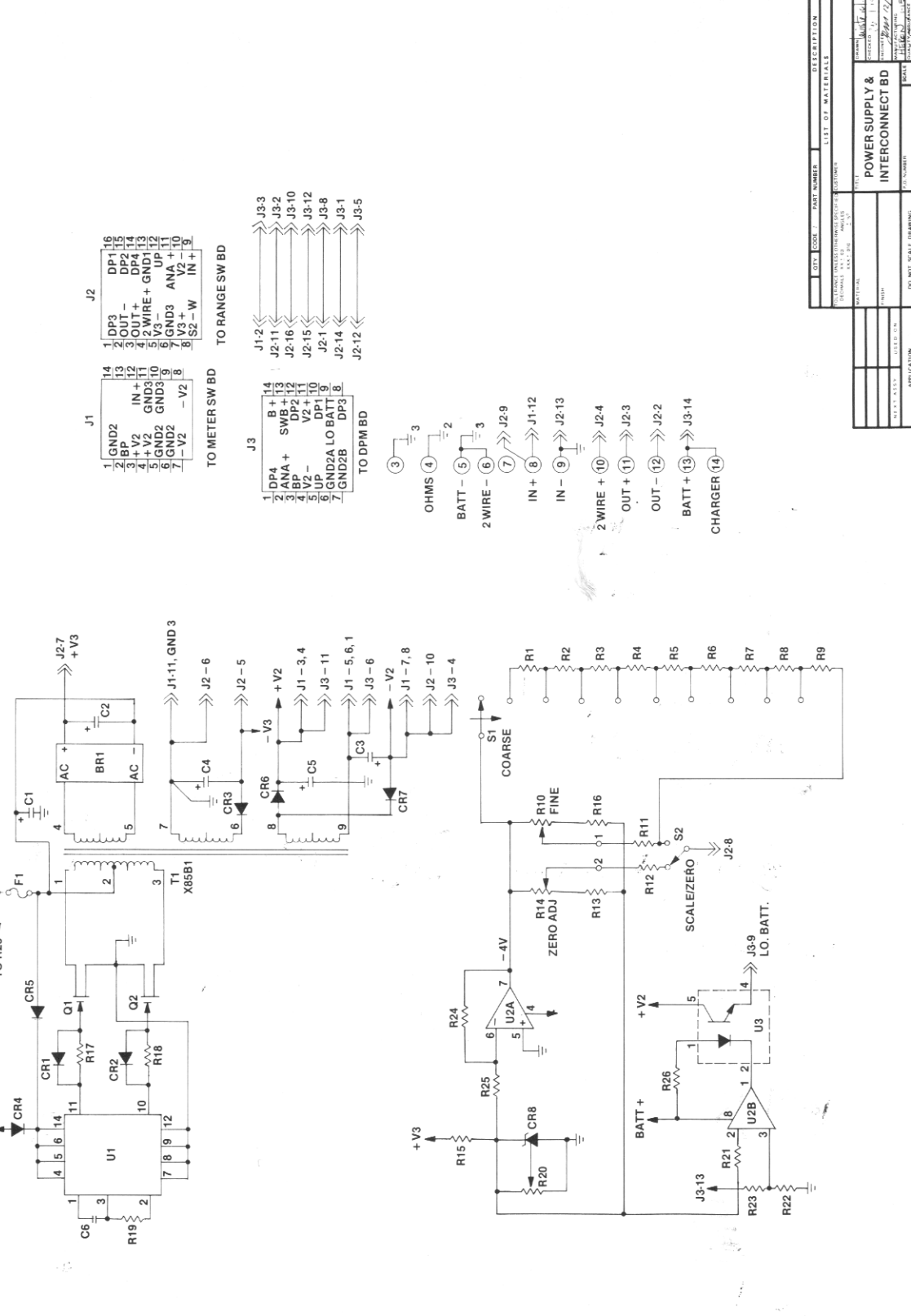
DATE	BY	SCALE	APPROVAL

DATE	BY	SCALE	APPROVAL

DATE	BY	SCALE	APPROVAL

ALL INFORMATION DISCLOSED HEREIN WAS OBTAINED BY AND IS THE PROPERTY OF ROVNA AND ALL RIGHTS ARE RESERVED. THIS DRAWING IS UNCLASSIFIED AND INFORMATION CONTAINED HEREIN IS UNCLASSIFIED EXCEPT WHERE SHOWN OTHERWISE.

REV	DESCRIPTION	DATE	BY	APPV



- J1 TO METER SW BD**
- 1 GND2
 - 2 DP3
 - 3 IN +
 - 4 +V2
 - 5 GND2
 - 6 GND2
 - 7 -V2
 - 8 GND2
 - 9 GND2
 - 10 GND3
 - 11 GND3
 - 12 IN +
 - 13 BP
 - 14 GND2
- J2 TO RANGE SW BD**
- 1 DP3
 - 2 OUT -
 - 3 OUT +
 - 4 2 WIRE +
 - 5 2 WIRE -
 - 6 V3 -
 - 7 GND3
 - 8 V3 +
 - 9 IN +
 - 10 ANA
 - 11 V2 -
 - 12 V2 +
 - 13 DP2
 - 14 DP1
- J3 TO DPM BD**
- 1 DP4
 - 2 ANA +
 - 3 SWB +
 - 4 BP
 - 5 V2 +
 - 6 DP +
 - 7 GND2A LO BATT
 - 8 GND2B
 - 9 DP3
 - 10 DP3
 - 11 DP3
 - 12 DP3
 - 13 B
 - 14 B

- 3 OHMS
- 4 BATT -
- 5 2 WIRE -
- 6 J2-9
- 7 J2-8
- 8 J2-7
- 9 J2-6
- 10 J2-5
- 11 J2-4
- 12 J2-3
- 13 J2-2
- 14 J2-1

QTY	CODE	PART NUMBER	DESCRIPTION	SPEC

REV	DESCRIPTION	DATE	BY	APPV

REV	DESCRIPTION	DATE	BY	APPV

REV	DESCRIPTION	DATE	BY	APPV

ROVNA
 10000 UNIVERSITY DRIVE
 HOLLYWOOD, CALIFORNIA 91601
 X85-1004

